

Product datasheet

Specifications



EP MVS CB 1250A 65kA 3P MF ET2 fixed manual circuit breaker

MVS12H3MF2L

Main

Range	EasyPact
Product Name	MVS12H
Device Short Name	MVS12H
Product Or Component Type	Circuit breaker
Device Application	Distribution
Poles Description	3P
Protected Poles Description	3P 3d
[In] Rated Current	1250 A at 40 °C
Network Type	AC
[Ue] Rated Operational Voltage	690 V AC 50/60 Hz conforming to IEC 60947-2
Breaking Capacity Code	H
Suitability For Isolation	Yes conforming to IEC 60947-2
Utilisation Category	Category B
Trip Unit Name	ET2I
Trip Unit Technology	Electronic
Trip Unit Rating	1250 A

Complementary

Network Frequency	50/60 Hz
Control Type	Manually operated
Mounting Mode	Fixed
Mounting Support	Base plate Rail
Connection Position	Vertical Horizontal
Location Of Connection	Rear
[Uij] Rated Insulation Voltage	1000 V AC 50/60 Hz conforming to IEC 60947-2
[Uimp] Rated Impulse Withstand Voltage	12 kV conforming to IEC 60947-2
Circuit Breaker Ct Rating	1250 A
Breaking Capacity	65 kA Icu at 220...440 V AC 50/60 Hz conforming to IEC 60947-2
[Ics] Rated Service Breaking Capacity	65 kA (Ics) at 220...440 V AC 50/60 Hz conforming to IEC 60947-2 50 kA (Ics) at 690 V AC 50/60 Hz conforming to IEC 60947-2

Mechanical Durability	20000 cycles (with maintenance) conforming to IEC 60947-2 10000 cycles (without maintenance) conforming to IEC 60947-2
Electrical Durability	Category B: 6000 cycles 440 V AC 50/60 Hz without maintenance conforming to IEC 60947-2 Category B: 4000 cycles 690 V AC 50/60 Hz without maintenance conforming to IEC 60947-2
Connection Pitch	115 mm without spreader
Contact Position Indicator	Yes
[Icm] Rated Short-Circuit Making Capacity	143 kA (Icm) at 220...440 V AC 50/60 Hz conforming to IEC 60947-2
[Icw] Rated Short-Time Withstand Current	65 kA (1 s) at 220...440 V AC 50/60 Hz conforming to IEC 60947-2 50 kA (1 s) at 690 V AC 50/60 Hz conforming to IEC 60947-2 50 kA (3 s) at 440/690 V AC 50/60 Hz conforming to IEC 60947-2
Trip Unit Protection Functions	LI
Protection Type	Overload protection (long time) Instantaneous short-circuit protection
Fault Indication	Short-circuit Internal fault Overload
Long Time Pick-Up Adjustment Type Ir	Adjustable 9 settings
Long Time Pick-Up Adjustment Range	0.4...1 x In
Long Time Delay Adjustment Type	Adjustable 9 settings
[Tr] Long-Time Delay Adjustment Range	0.5...24 s at 6 x Ir
Thermal Memory	20 minutes before and after tripping
Instantaneous Pick-Up Adjustment Type Ii	Adjustable 9 settings
Instantaneous Pick-Up Adjustment Range	1.5...10 x Ir
Zone Selective Interlocking Zsi	With
Current Sensor Rating Range	400/2000 A
Maximum Breaking Time	25 ms
Maximum Closing Response Time	70 ms
Height	352 mm
Width	422 mm
Depth	297 mm
Net Weight	40 kg

Environment

Standards	IEC 60947-2
Product Certifications	GOST CCS CCC IEC
Pollution Degree	4 conforming to IEC 60664-1
Ip Degree Of Protection	IP40
Ambient Air Temperature For Operation	-5...70 °C
Ambient Air Temperature For Storage	-40...85 °C without control unit -25...85 °C with control unit

Packing Units

Unit Type Of Package 1	PCE
Number Of Units In Package 1	1
Package 1 Height	42.0 cm
Package 1 Width	35.0 cm
Package 1 Length	50.0 cm
Package 1 Weight	38.0 kg

Contractual warranty

Warranty	18 months
----------	-----------

Sustainability

Green Premium™ label is Schneider Electric's commitment to delivering products with best-in-class environmental performance. Green Premium promises compliance with the latest regulations, transparency on environmental impacts, as well as circular and low-CO₂ products.

Guide to assessing product sustainability is a white paper that clarifies global eco-label standards and how to interpret environmental declarations.

[Learn more about Green Premium >](#)

[Guide to assess a product's sustainability >](#)



Transparency RoHS/REACH

Well-being performance

Mercury Free

Rohs Exemption Information [Yes](#)

Pvc Free

Certifications & Standards

Reach Regulation [REACH Declaration](#)

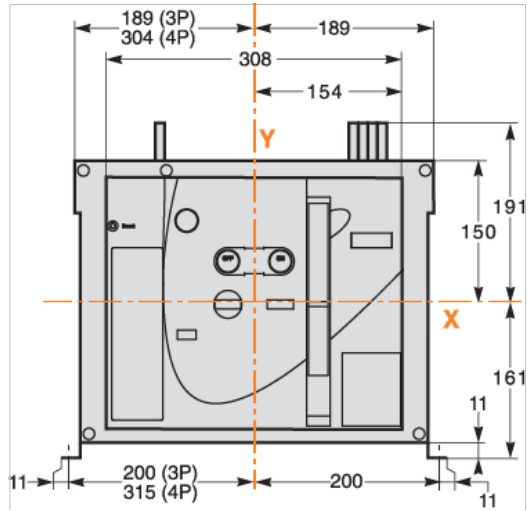
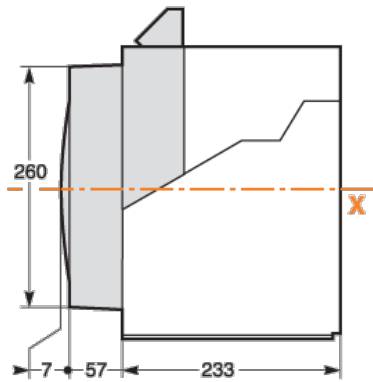
Eu Rohs Directive Compliant with Exemptions

China Rohs Regulation [China RoHS declaration](#)
Product out of China RoHS scope. Substance declaration for your information

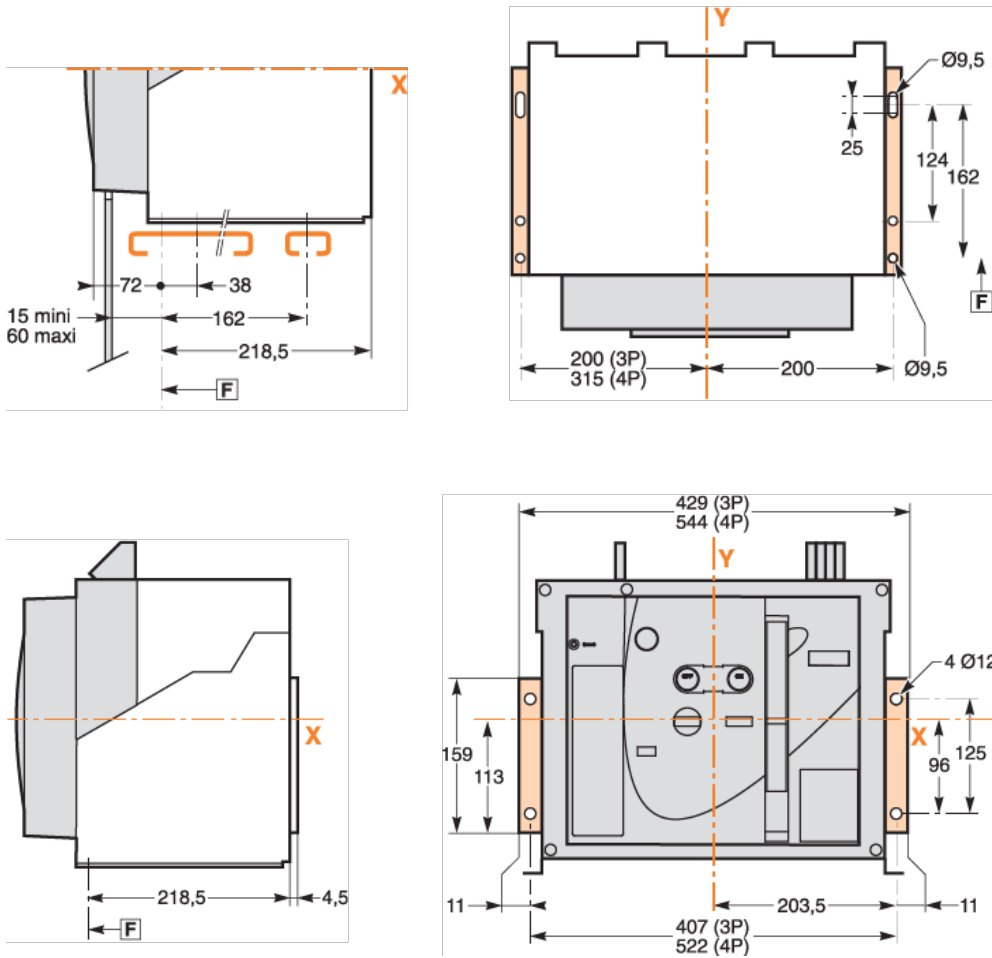
Environmental Disclosure [Product Environmental Profile](#)

Circularity Profile [End of Life Information](#)

Dimensions Drawings



Assembly



Performance Curves

